

# TANNER MDA+

Water-supplied air heater/  
cooler with EC axial fan

Water-supplied air heater/cooler. Heating capacity from 10.5 kW to 152.51 kW. Cooling capacity from 4.41 kW to 36.49 kW.

For more information,  
downloads and  
videos, visit the Tanner  
MDA+ page on our  
website





## Cooling and heating with the TANNER MDA+



In addition to the standard TANNER MDA, Mark Climate Technology also has the MDA+ in its range. The TANNER MDA+ is suitable for both heating and cooling thanks to the integrated drip tray and optional condensate pump.

The TANNER MDA+ is a water-supplied hanging air heater/cooler suitable for horizontal air discharge. The unit has a powerful EC axial fan, which means that the MDA+ has many applications, such as in industrial halls, production areas and garages.

The air heater can also heat and cool with low water temperatures and small temperature differences. **This means that the TANNER MDA+ can also be combined with a heat pump.**

### Product features

- Integrated drip tray
- Optional: condensate pump
- Supplied as standard in a corrosion-resistant Aluzinc casing
- Copper/aluminium heat exchanger
- IP 54
- Units with AC motor on request
- Modern design

### The air heaters/coolers are equipped with an EC motor as standard. Advantages:

- The highest efficiency in case of speed control
- Up to 50% energy saving in case of partial load
- Almost completely linearly adjustable 30-100%
- Long lifetime
- Low noise level
- Integrated electronic thermal protection

The TANNER MDA+ also features a completely new design.



Remote control possible with the PinTherm Mistral IoT! Control the thermostat from anywhere in the world via a secure Cloud environment in the browser of your PC, tablet or smartphone. No need to open a firewall port for this. With the optional WiFi module, a LAN cable is also no longer needed for the thermostat.





241EC		Control signal EC fan (VDC)								
		10	9	8	7	6	5	4	3	
heating	90/70 T 15	kW	43,13	41,3	37,79	34,57	30,64	26,27	20,92	16,21
	Water resistance	kPa	2,54	2,34	1,98	1,68	1,4	1	0,66	0,41
	80/60 T 15	kW	34,93	33,44	30,6	27,98	24,79	21,22	16,82	12,87
	Water resistance	kPa	1,73	1,6	1,35	1,15	0,91	0,68	0,44	0,27
	60/40 T 15	kW	13,56	12,86	12,2	11,56	10,73	9,73	8,36	7,01
	Water resistance	kPa	0,31	0,28	0,25	0,23	0,2	0,17	0,13	0,09
	45/40 T 15	kW	18,57	17,77	16,23	14,82	13,1	11,2	8,88	6,85
	Water resistance	kPa	7,46	6,87	5,79	4,89	3,88	2,9	1,88	1,16
	35/30 T 15	kW	10,5	10,04	9,14	8,32	7,3	6,14	4,52	3,7
	Water resistance	kPa	2,63	2,42	2,03	1,7	1,34	0,97	0,55	0,38
cooling	Air amount	m <sup>3</sup> /h	3734	3495	3060	2686	2261	1826	1348	975
	7/12 T 28 °C (rv50%)	kW	x	x	x	7,83	6,37	5,66	5,02	4,41
	Water resistance	kPa	x	x	x	2,15	1,48	1,19	0,96	0,75
	Air amount	m <sup>3</sup> /h	x	x	x	2686	2261	1826	1348	975
	Connection		x	x	x	1,0"	1,0"	1,0"	1,0"	1,0"
	Noise level at 5m	dB(A)	55	54	51	48	44	40	34	30
	Speed	rpm	1400							
	Weight without accessoires	kg	42							
	Horizontal Throw	m	12							
	Consumed current	A	2,2							
Nominal electric power	kW	0,32								

341EC		Control signal EC fan (VDC)								
		10	9	8	7	6	5	4	3	
heating	90/70 T 15	kW	68,66	63,62	59,83	54,77	49,62	45,29	38,13	27,27
	Water resistance	kPa	2,76	2,4	2,14	1,82	1,52	1,28	0,93	0,5
	80/60 T 15	kW	56,39	52,26	49,17	45,02	40,8	37,24	31,34	22,36
	Water resistance	kPa	1,95	1,7	1,52	1,29	1,08	0,91	0,66	0,36
	60/40 T 15	kW	29,7	27,33	25,52	23,02	20,32	16,43	14,57	11,52
	Water resistance	kPa	0,63	0,54	0,48	0,39	0,31	0,21	0,17	0,11
	45/40 T 15	kW	29,34	27,15	25,5	23,31	21,08	19,21	16,12	11,46
	Water resistance	kPa	8	6,93	6,18	5,23	4,35	3,67	2,65	1,42
	35/30 T 15	kW	17,28	15,99	15,02	13,72	12,39	11,27	9,4	6,33
	Water resistance	kPa	3,1	2,69	2,4	2,03	1,68	1,41	1,02	0,49
cooling	Air amount	m <sup>3</sup> /h	5423	4847	4435	3910	3406	3005	2387	1554
	7/12 T 28 °C (rv50%)	kW	x	x	x	11,99	9,81	9,17	8,07	6,64
	Water resistance	kPa	x	x	x	1,72	1,2	1,06	0,84	0,59
	Air amount	m <sup>3</sup> /h	x	x	x	3910	3406	3005	2387	1554
	Connection		x	x	x	1,25"	1,25"	1,25"	1,25"	1,25"
	Noise level at 5m	dB(A)	53	51	48	46	41	37	33	29
	Speed	rpm	950							
	Weight without accessoires	kg	62							
	Horizontal Throw	m	19							
	Consumed current	A	1,7							
Nominal electric power	kW	0,24								

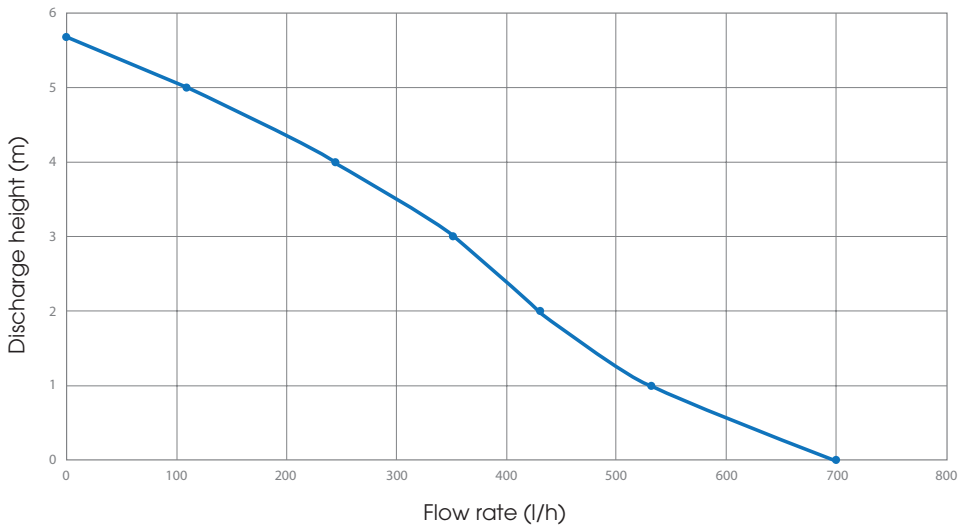


441EC		Control signal EC fan (VDC)								
		10	9	8	7	6	5	4	3	
heating	90/70 T 15	kW	105,2	102,94	88,99	7910	72,65	62,4	53,82	51,06
	Water resistance	kPa	4,05	3,89	2,98	2,4	2,05	1,55	1,19	1,08
	80/60 T 15	kW	86,93	85,07	73,62	65,48	60,16	51,7	44,61	42,32
	Water resistance	kPa	2,91	2,8	2,14	1,73	1,48	1,12	0,86	0,78
	60/40 T 15	kW	48,37	47,32	40,79	36,09	31,97	27,86	21,54	19,96
	Water resistance	kPa	1,04	1	0,76	0,61	0,52	0,38	0,24	0,21
	45/40 T 15	kW	44,84	43,86	37,82	33,55	30,76	26,35	22,66	21,48
	Water resistance	kPa	11,68	11,22	8,56	6,87	5,86	4,41	3,35	3,04
	35/30 T 15	kW	26,88	26,3	22,7	20,14	18,48	15,82	13,58	12,86
	Water resistance	kPa	4,71	4,53	3,46	2,78	2,38	1,79	1,36	1,23
cooling	Air amount	m <sup>3</sup> /h	8217	7956	6438	5450	4844	3941	3242	3028
	7/12 T 28 °C (rv50%)	kW	x	x	x	21,17	19,46	16,34	11,36	10,93
	Water resistance	kPa	x	x	x	3,32	2,86	2,08	1,07	1
	Air amount	m <sup>3</sup> /h	x	x	x	5450	4844	3941	3242	3028
	Connection		x	x	x	1,5"	1,5"	1,5"	1,5"	1,5"
	Noise level at 5m	dB(A)	59	58	55	52	48	43	37	31
	Speed	rpm	1000							
	Weight without accessoires	kg	82							
	Horizontal Throw	m	27							
	Consumed current	A	2,7							
Nominal electric power	kW	0,62								

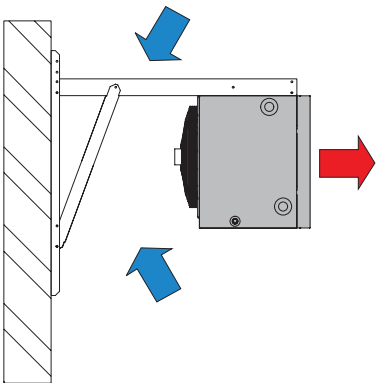
541EC		Control signal EC fan (VDC)								
		10	9	8	7	6	5	4	3	
heating	90/70 T 15	kW	152,51	141,25	132,8	121,47	109,93	100,19	84,12	59,77
	Water resistance	kPa	5,98	5,2	4,65	3,96	3,3	2,79	2,04	1,1
	80/60 T 15	kW	127,03	117,74	110,76	101,39	91,84	83,77	70,45	50,19
	Water resistance	kPa	4,39	3,82	3,42	2,92	2,44	2,07	1,51	0,82
	60/40 T 15	kW	74,41	69,1	65,09	59,7	54,18	49,5	41,7	29,67
	Water resistance	kPa	1,76	1,54	1,38	1,18	0,99	0,84	0,62	0,34
	45/40 T 15	kW	64,67	59,8	56,16	51,27	46,31	42,13	35,25	24,88
	Water resistance	kPa	17,1	14,84	13,24	11,23	9,34	7,87	5,71	3,04
	35/30 T 15	kW	39,59	36,67	34,47	31,53	28,52	25,99	21,81	15,46
	Water resistance	kPa	7,28	6,34	5,67	4,82	4,03	3,4	2,48	1,33
cooling	Air amount	m <sup>3</sup> /h	10600	9474	8669	7643	6658	5873	4666	3037
	7/12 T 28 °C (rv50%)	kW	x	x	x	36,49	33,66	31,18	26,87	19,78
	Water resistance	kPa	x	x	x	6,55	5,68	4,95	3,79	2,19
	Air amount	m <sup>3</sup> /h	x	x	x	7643	6658	5873	4666	3037
	Connection		x	x	x	2,0"	2,0"	2,0"	2,0"	2,0"
	Noise level at 5m	dB(A)	56	54	51	49	44	40	36	32
	Speed	rpm	950							
	Weight without accessoires	kg	119							
	Horizontal Throw	m	22							
	Consumed current	A	3,4							
Nominal electric power	kW	0,76								



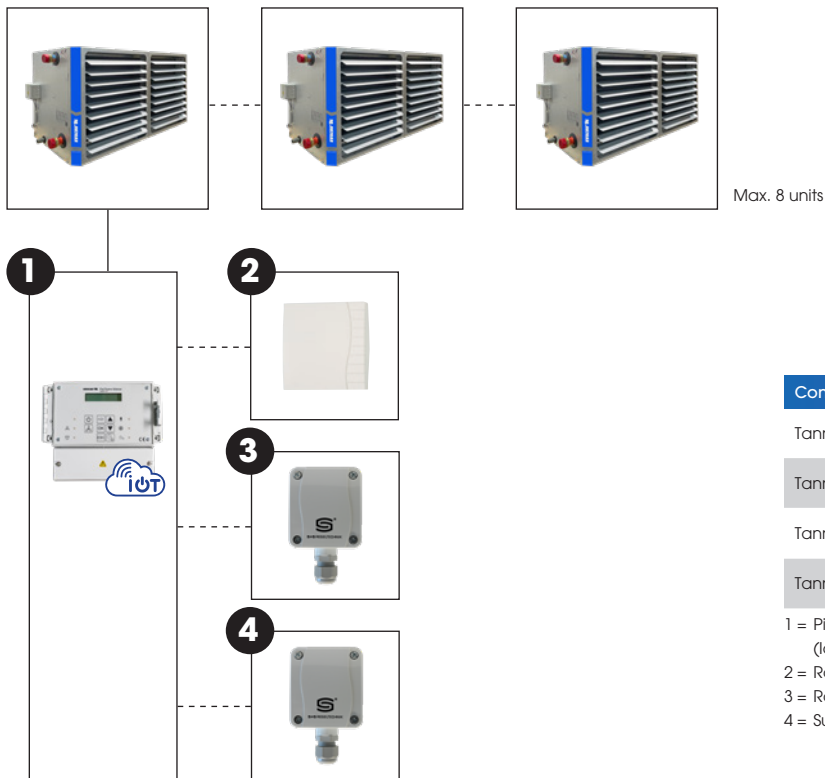
### DISCHARGE HEIGHT CONDENSATE PUMP



### Assembly/location suggestions



## Controls MDA+ EC



### Control combination options

Tanner MDA+	+	<b>1</b>
Tanner MDA+	+	<b>1</b> + <b>2</b>
Tanner MDA+	+	<b>1</b> + <b>3</b>
Tanner MDA+	+	<b>1</b> + <b>4</b>

- 1 = PinTherm Mistral with Ethernet, Modbus and Cloud control (IoT: 0629110 / IoT+WiFi: 3003872)
- 2 = Room sensor IP20 for 0629110/3003872 (0629086)
- 3 = Room sensor IP65 for 0629110/3003872 (0629093)
- 4 = Surface contact temperature sensor IP65 (0629094)

## Prices Tanner MDA+

### PRODUCT - TANNER MDA+ FOR HEATING AND COOLING, EXCL. CONDENSATE PUMP, 230V, 90/70 -15 °C, 7/12 - 28 °C - WITH EC FAN



Code nr.	Description	Price
5060878	MDA+ 241EC, nominal cooling capacity 7,83 kW	€ 2586
5060883	MDA+ 341EC, nominal cooling capacity 11,99 kW	€ 3460
5060888	MDA+ 441EC, nominal cooling capacity 21,17 kW	€ 4765
5060898	MDA+ 541EC, nominal cooling capacity 36,49 kW	€ 6003

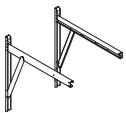
### PRODUCT - TANNER MDA+ FOR HEATING AND COOLING, INCL. CONDENSATE PUMP, 230V, 90/70 -15 °C, 7/12 - 28 °C - WITH EC FAN



Code nr.	Description	Price
5060978	MDA+ 241EC with condensate pump, nominal cooling capacity 7.83 kW	€ 2984
5060983	MDA+ 341EC with condensate pump, nominal cooling capacity 11,99 kW	€ 3858
5060988	MDA+ 441EC with condensate pump, nominal cooling capacity 21,17 kW	€ 5163
5060998	MDA+ 541EC with condensate pump, nominal cooling capacity 36,49 kW	€ 6628

**ACCESSORIES - ADDITIONAL SECTIONS - VERTICAL LOUVRES**

Code nr.	Description	Price
5064242	for MDA+ type 200	€ 171
5064243	for MDA+ type 300	€ 205
5064244	for MDA+ type 400	€ 251
5064245	for MDA+ type 500	€ 404

**ACCESSORIES - ASSEMBLY - GENERAL**

Code nr.	Description	Price
5017620	Wall brackets horizontal, MDA+ type 200 - 500	€ 405
5017520	Ceiling brackets horizontal, MDA+ type 200 - 500	€ 119

**ACCESSORIES - CONTROLS**

	Code nr.	Description	Price
1	0629110	PinTherm Mistral IoT room thermostat with Ethernet, Modbus and Cloud control	€ 835
1	3003872	PinTherm Mistral IoT/WiFi room thermostat with Ethernet, Modbus and Cloud control	€ 889
2	0629086	Room sensor IP20	€ 93
3	0629093	Room sensor IP65	€ 65
4	0629094	Surface contact temperature sensor IP65	€ 110
	0631163	Isolator switch, separate delivery, 230V (4 poles)	€ 71

For explanation see chapter control equipment

**ACCESSOIRES - COLOURS \*\*\***

Description	Price
MDA Type 200 Accessories provided with colour 1 to 3 pieces (by piece)	€ 139
MDA Type 200 Accessories provided with colour 4 to 10 pieces (by piece)	€ 122
MDA Type 200 Accessories provided with colour for more than 10 pieces (by piece)	€ 87
MDA Type 300 Accessories provided with colour 1 to 3 pieces (by piece)	€ 156
MDA Type 300 Accessories provided with colour 4 to 10 pieces (by piece)	€ 133
MDA Type 300 Accessories provided with colour for more than 10 pieces (by piece)	€ 92
MDA Type 400 Accessories provided with colour 1 to 3 pieces (by piece)	€ 162
MDA Type 400 Accessories provided with colour 4 to 10 pieces (by piece)	€ 139
MDA Type 400 Accessories provided with colour for more than 10 pieces (by piece)	€ 99
MDA Type 500 Accessories provided with colour 1 to 3 pieces (by piece)	€ 324
MDA Type 500 Accessories provided with colour 4 to 10 pieces (by piece)	€ 278
MDA Type 500 Accessories provided with colour for more than 10 pieces (by piece)	€ 198

\*\*\* These prices are only for the Mark standard RAL-colours: 3002 red, 1028 yellow, 6010 green, 7016 gray, 8014 brown, 9001 beige white, 5009 blue, 2009 orange, 1019 beige