

INFRA AQUA DESIGN

Water-supplied aluminium
radiation panel

Aluminium radiation panel with a
RAL 9010 coating.



For more information,
downloads and
videos, visit the Infra
Aqua Design page on
our website





Silent, pleasant heat from a designer radiation panel



The INFRA AQUA DESIGN is a water-supplied aluminium radiation panel, fitted with a glass wool insulation blanket as standard. This insulation blanket prevents heat from being radiated upwards. This appliance offers the option of heating without displacing air. In addition, heat reaches only the location where it is required. The short warming-up period and the lower room temperature can yield good energy savings.

The INFRA AQUA DESIGN has a very wide area of application in both utility and industrial buildings. The panel may even be integrated into a system ceiling.

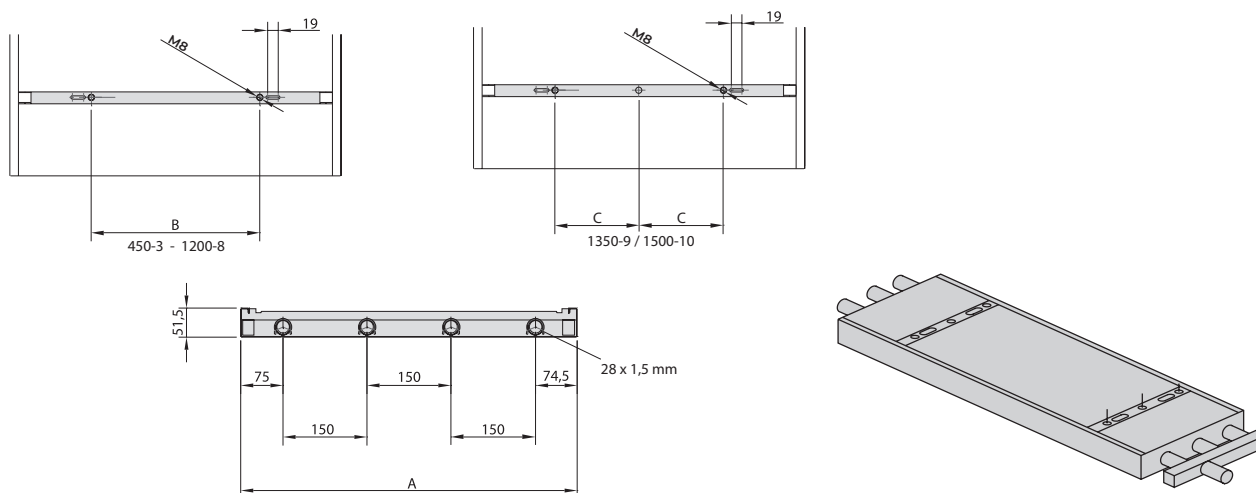
Heating with the INFRA AQUA DESIGN means heating without any draughts or displacement of air or dust.

The panel can be supplied in various widths and lengths, and in RAL 9010 white colour as standard. Other RAL-colours are available on request.

Product features

- Aluminium panel, low weight per metre.
- Aesthetically pleasing and completely flat panel.
- High heat delivery compared to steel panels
- Galvanized distributors and registers possible when used in wet spaces.
- Approved in accordance with EN 14037 1-3
- Glass wool insulation
- Acoustic panels (on demand)

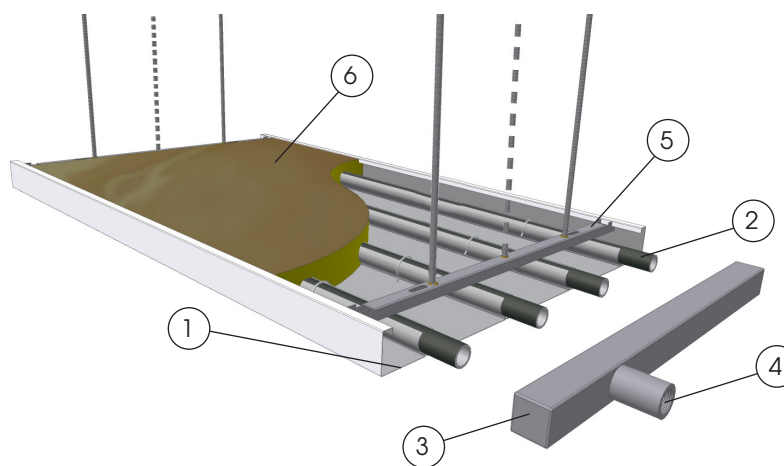
Dimensions



Type	450-3	600-4	750-5	900-6	1050-7	1200-8	1350-9	1500-10
Width = A	440	590	740	890	1040	1190	1340	1490
B/C in mm	200	300	450	600	750	600	375	450
Suspension points (6m)	3x2	3x2	3x2	3x2	3x2	3x2	3x3	3x3
Number of pipes	3	4	5	6	7	8	9	10

Technical information

- 1 = Aluminium radiant reflector
- 2 = Water-carrying tube
- 3 = Distributor
- 4 = Connection, water-side
- 5 = Suspension profile with M8 blind rivnut
- 6 = Insulating material





Type		450-3	600-4	750-5	900-6	1050-7	1200-8	1350-9	1500-10
Heat delivery 15°C (90/70°C) room temperature	W/m	300	377	453	529	608	686	764	842
Water content	kg/m	1,47	1,96	2,45	2,94	3,43	3,92	4,41	4,90
Weight of panel (filled)	kg/m	6,24	8,49	10,55	12,82	14,67	16,73	18,79	20,85
Weight of distributor (filled)	kg/m	1,55	2,13	2,70	3,28	3,86	4,44	5,01	5,58

RADIANT PANEL, TYPE 450-3 to 1500-10

Heat delivery table in W/m1 in accordance with EN 14037 1-3

K	450-3	600-4	750-5	900-6	1050-7	1200-8	1350-9	1500-10
115	578	723	868	1011	1162	1313	1465	1618
110	549	687	825	961	1104	1248	1392	1537
105	521	652	782	911	1047	1183	1320	1457
100	492	616	739	862	990	1119	1248	1378
95	464	581	697	813	934	1056	1177	1299
90	436	546	656	765	878	992	1106	1221
85	408	512	614	717	823	930	1036	1144
80	381	477	573	669	768	868	967	1067
75	354	443	533	622	714	807	899	991
70	327	410	493	576	661	746	831	916
69	322	403	485	566	650	734	817	901
68	316	397	477	557	639	722	804	887
67	311	390	469	548	629	710	791	872
66	306	383	461	539	618	698	777	857
65	300	377	453	529	608	686	764	842
64	295	370	445	520	597	674	751	828
63	290	364	438	511	587	662	737	813
62	285	357	430	502	576	650	724	798
61	279	351	422	493	566	638	711	784
60	274	344	414	484	555	627	698	769
59	269	338	406	475	545	615	685	755
58	264	331	399	466	534	603	671	740
57	259	325	391	457	524	591	658	726
56	254	318	383	448	514	580	645	711
55	248	312	375	439	503	568	632	697
54	243	306	368	430	493	556	619	683
53	238	299	360	421	483	545	607	668
52	233	293	353	412	473	533	594	654
51	228	287	345	403	463	522	581	640
50	223	280	337	395	453	510	568	626
49	218	274	330	386	442	499	555	612
48	213	268	322	377	432	488	543	598
47	208	261	315	368	422	476	530	584
46	203	255	307	360	412	465	517	570
45	198	249	300	351	402	454	505	556
44	193	243	293	342	392	442	492	542
43	188	237	285	334	383	431	480	528
42	183	231	278	325	373	420	467	515
41	178	224	270	317	363	409	455	501
40	174	218	263	308	353	398	443	487
39	169	212	256	300	343	387	430	474
38	164	206	249	291	334	376	418	460
37	159	200	241	283	324	365	406	447
36	154	194	234	274	314	354	394	433
35	150	188	227	266	305	343	382	420
30	126	159	192	225	257	290	322	354
25	103	130	157	185	211	238	264	290
20	81	102	124	146	166	187	208	229
15	60	76	92	108	123	139	154	169

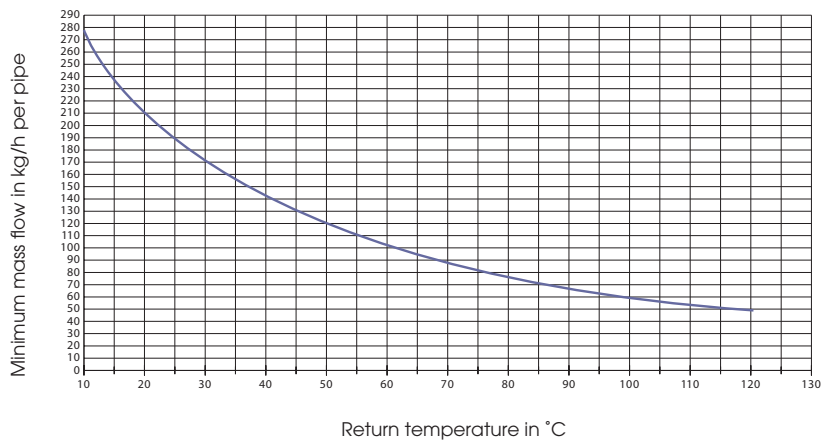
DISTRIBUTOR, TYPE 450-3 to 1500-10

Heat delivery table in W/m1 in accordance with EN 14037 1-3 per 2 distributors

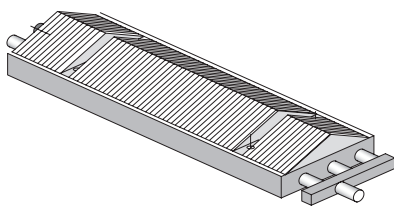
K	450-3	600-4	750-5	900-6	1050-7	1200-8	1350-9	1500-10
115	88	113	138	164	184	203	223	243
110	84	107	131	155	174	193	212	230
105	79	101	124	147	164	182	200	218
100	75	96	117	138	155	172	189	205
95	70	90	110	130	146	161	177	193
90	66	84	103	122	136	151	166	181
85	62	79	96	114	127	141	155	169
80	58	73	89	106	118	131	144	157
75	53	68	83	98	110	121	133	145
70	49	63	76	90	101	112	123	134
69	49	62	75	88	99	110	121	131
68	48	61	74	87	97	108	118	129
67	47	60	72	85	96	106	116	127
66	46	59	71	84	94	104	114	124
65	45	58	70	82	92	102	112	122
64	44	57	69	81	91	100	110	120
63	44	55	67	79	89	98	108	118
62	43	54	66	78	87	97	106	115
61	42	53	65	76	85	95	104	113
60	41	52	64	75	84	93	102	111
59	40	51	62	73	82	91	100	109
58	40	50	61	72	81	89	98	107
57	39	49	60	70	79	87	96	104
56	38	48	59	69	77	86	94	102
55	37	47	57	67	76	84	92	100
54	37	46	56	66	74	82	90	98
53	36	45	55	64	72	80	88	96
52	35	44	54	63	71	78	86	94
51	34	43	52	62	69	77	84	91
50	33	42	51	60	67	75	82	89
49	33	41	50	59	66	73	80	87
48	32	40	49	57	64	71	78	85
47	31	39	48	56	63	69	76	83
46	30	38	47	55	61	68	74	81
45	30	38	45	53	60	66	72	79
44	29	37	44	52	58	64	71	77
43	28	36	43	50	56	63	69	75
42	27	35	42	49	55	61	67	73
41	27	34	41	48	53	59	65	71
40	26	33	40	46	52	57	63	69
39	25	32	38	45	50	56	61	67
38	24	31	37	44	49	54	59	65
37	24	30	36	42	47	52	58	63
36	23	29	35	41	46	51	56	61
35	22	28	34	40	44	49	54	59
30	19	24	28	33	37	41	45	49
25	15	19	23	27	30	33	37	40
20	12	15	18	21	23	26	28	31
15	9	11	13	15	17	19	21	22

K = Average water temperature - room temperature. Values for a mass flow of 0.04 litres per second/pipe.

Relation between minimum mass flow and return temperature



Accessories



Ball removal plates (optional)